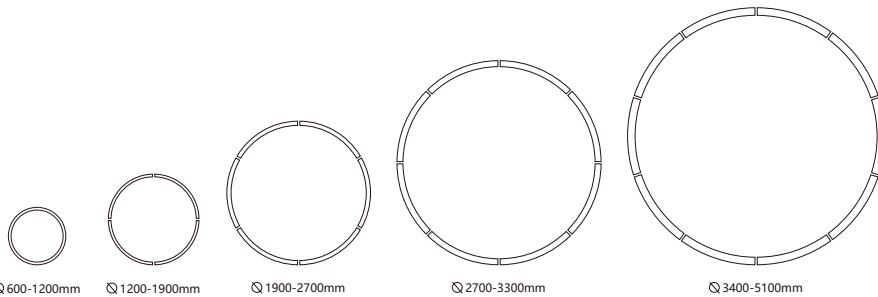
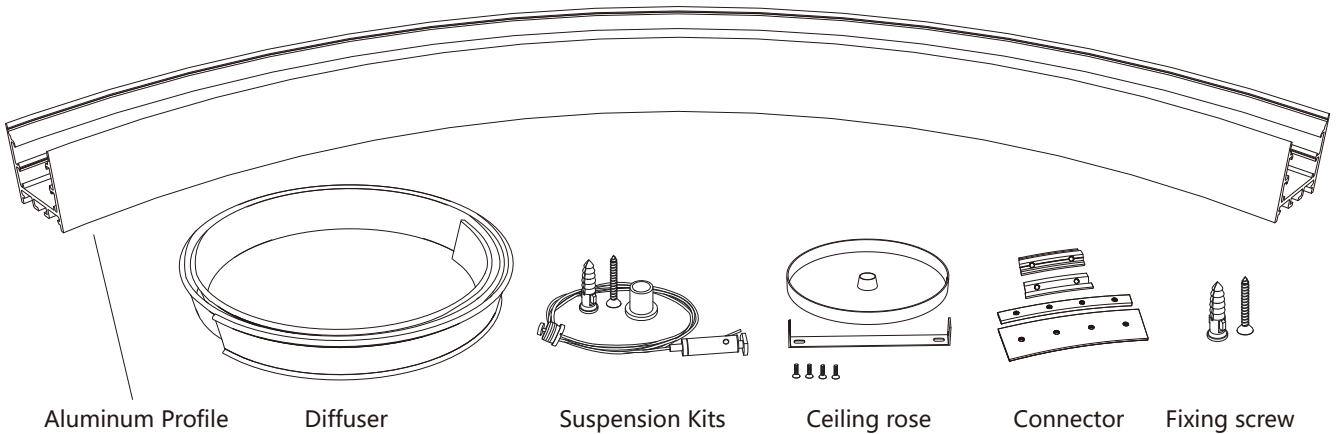
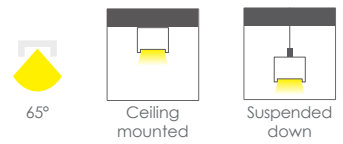


**Led curved lighting profile system
w35mm x h38mm**

LW-C35N

Can Customize any size with outer Radius >350mm
 smallest outer R=350mm



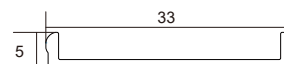
... And more...

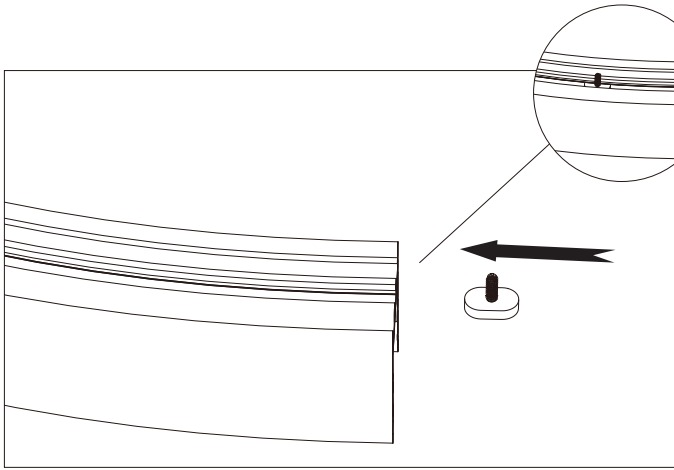
Diameter range / mm	600-1200	1200-1900	1900-2700	2700-3300	3400-3900	3910-4900	4950-5100	Customized
Parts of profile	1	4	6	8	10	10	10	TBC
Parts of diffuser	1	1	1	1	1	1	1	TBC

Name	Code	Material	Color	Others
Aluminum Profile	C35	Aluminum	Non anodized / White / Black / RAL color	-
LED strip	-	-	-	MAX. 28.8 W/m
Suspension Kits	Sus. Kits C35	Stainless Steel	ecru	-
Ceiling rose	-	Stainless Steel	ecru	-
Connector	-	Stainless Steel	ecru	-

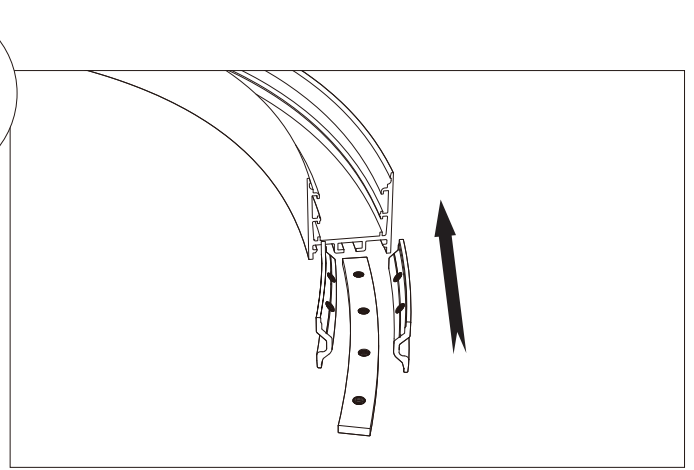
Optional Diffuser (PMMA)

Color	Light Transmittance	Code	Max. Length
New opal	74%	C35-N	25M Roll

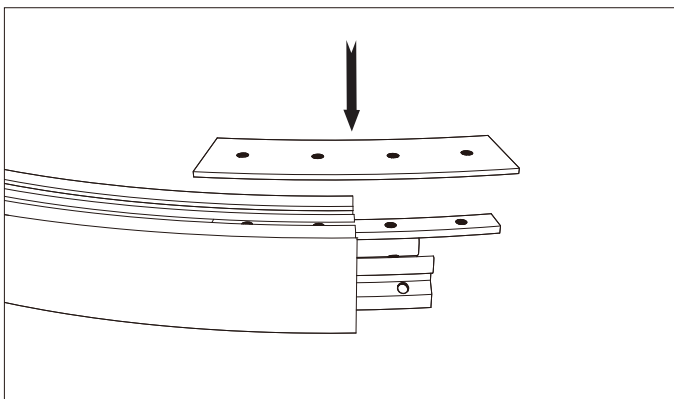




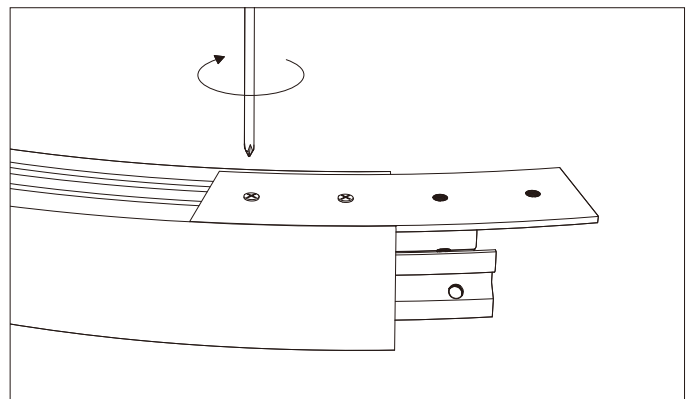
1. Install the suspension bases.
(when suspended)



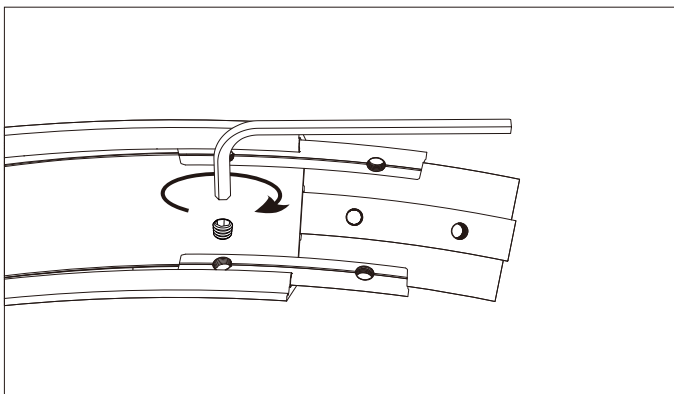
2. Install the joiners.



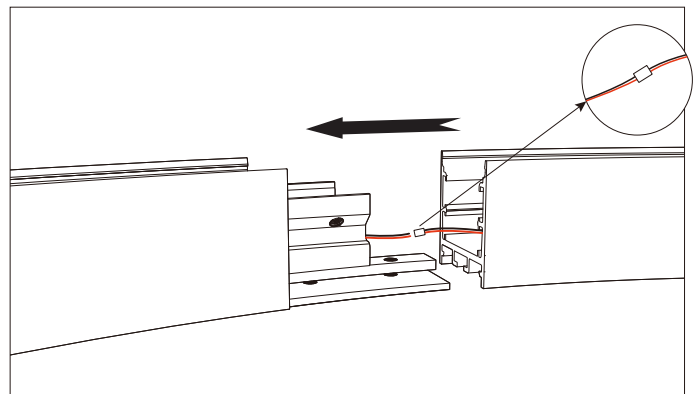
3. Install the upper joiners.



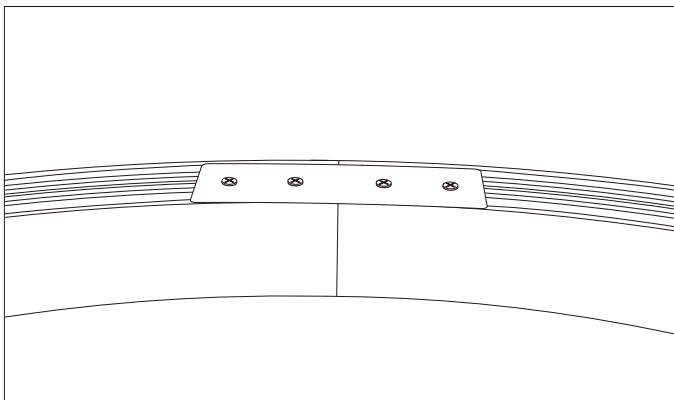
4. Lock the screws tight.



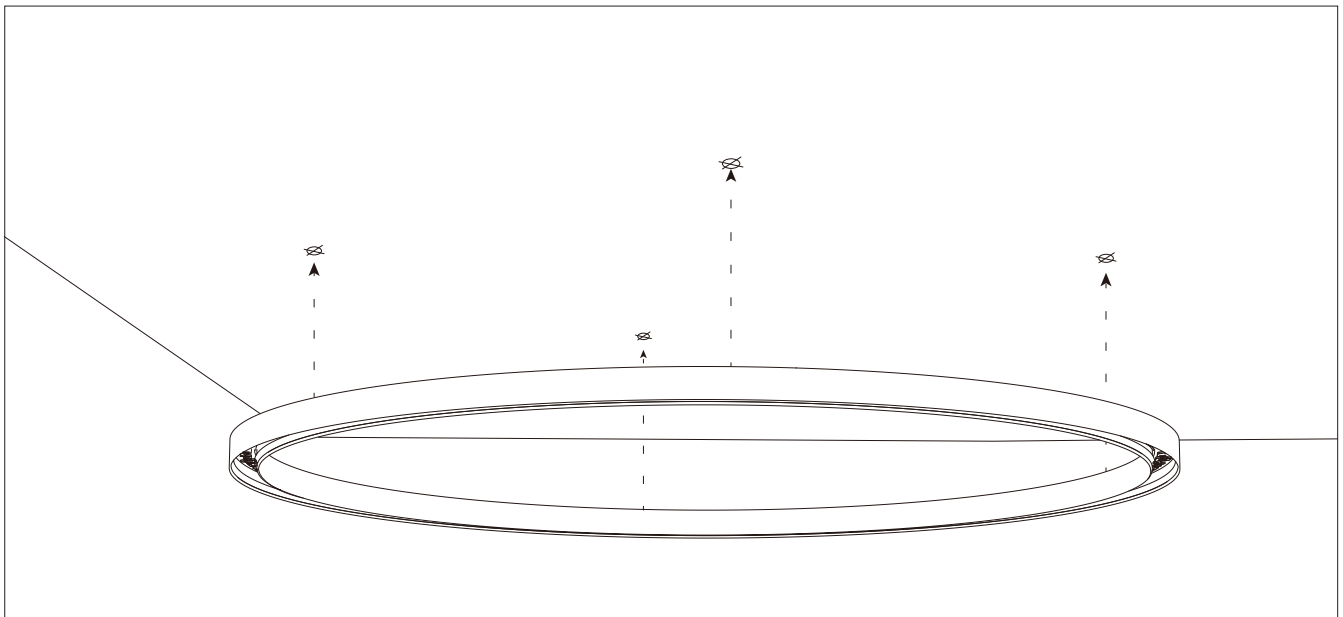
5. Lock the hexagon screws.



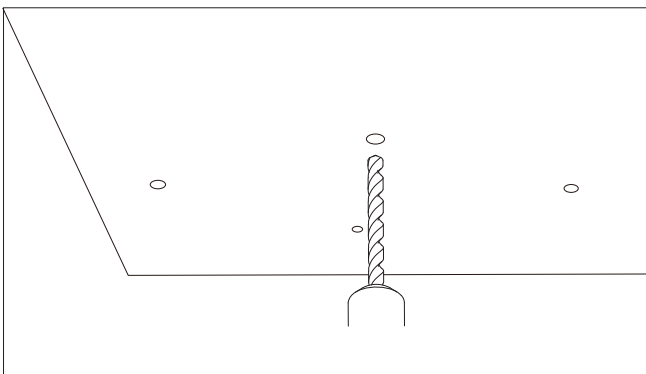
6. Connect the power wires and
profiles.



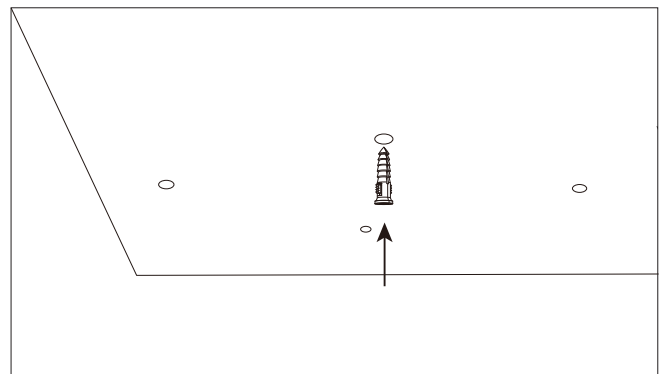
7. Connection finished.



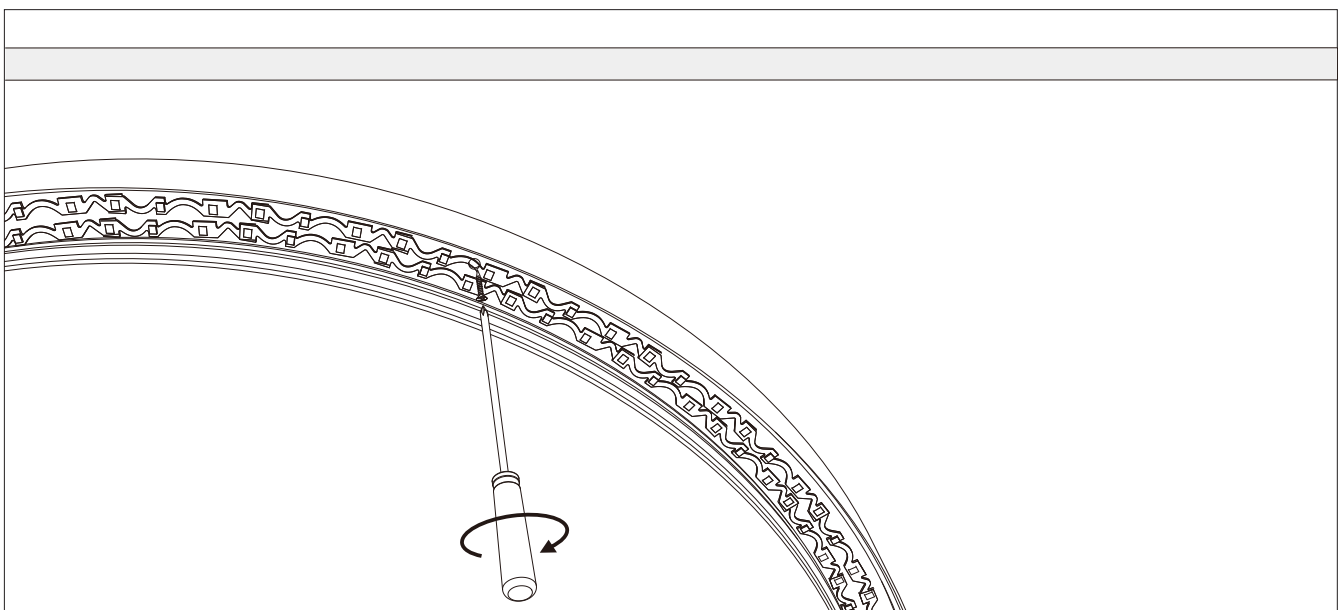
1. Determine the point positions on the ceiling.



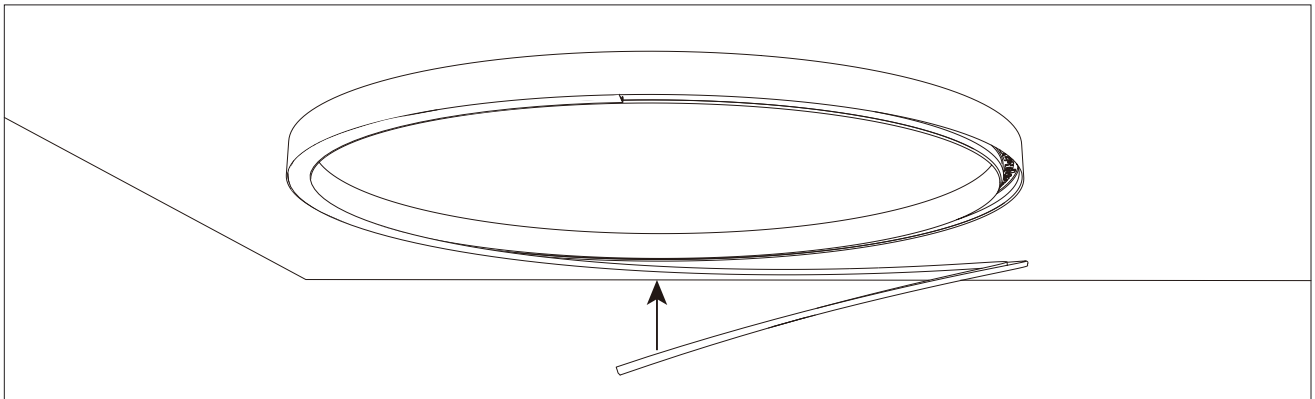
2. Drill holes in the ceiling.



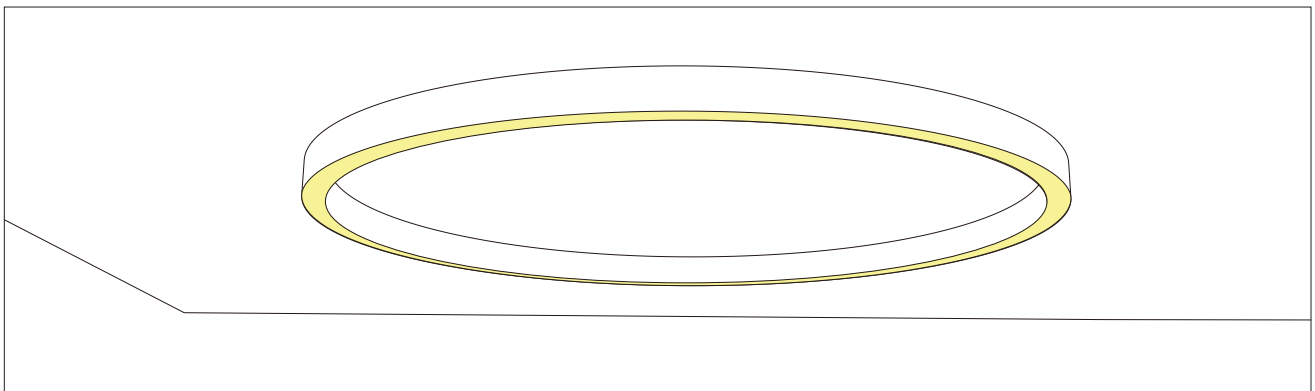
3. Lock the fixing screws properly.



4. Tighten the screws.

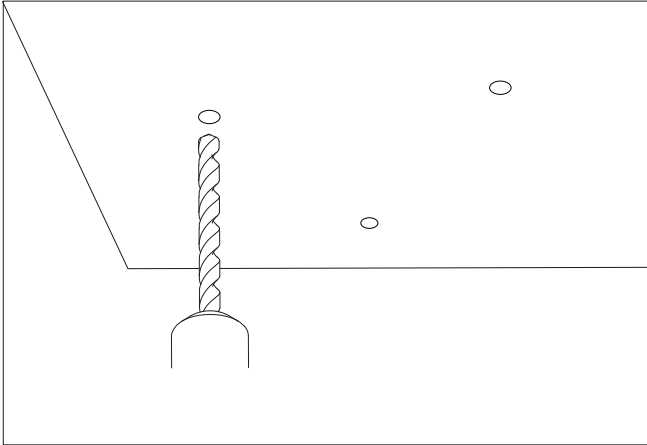


5. Install the diffusers.

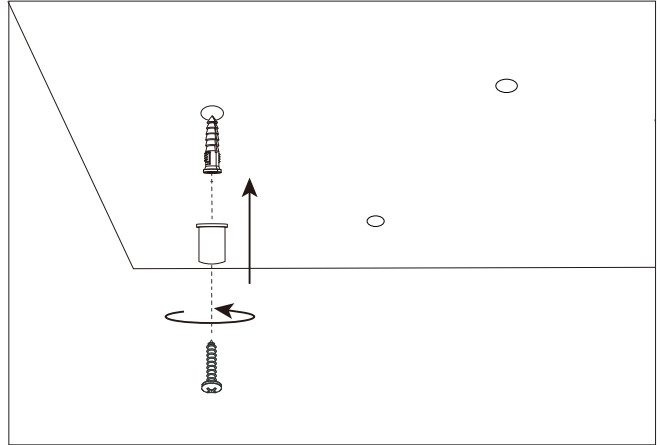


6. Installation completed.

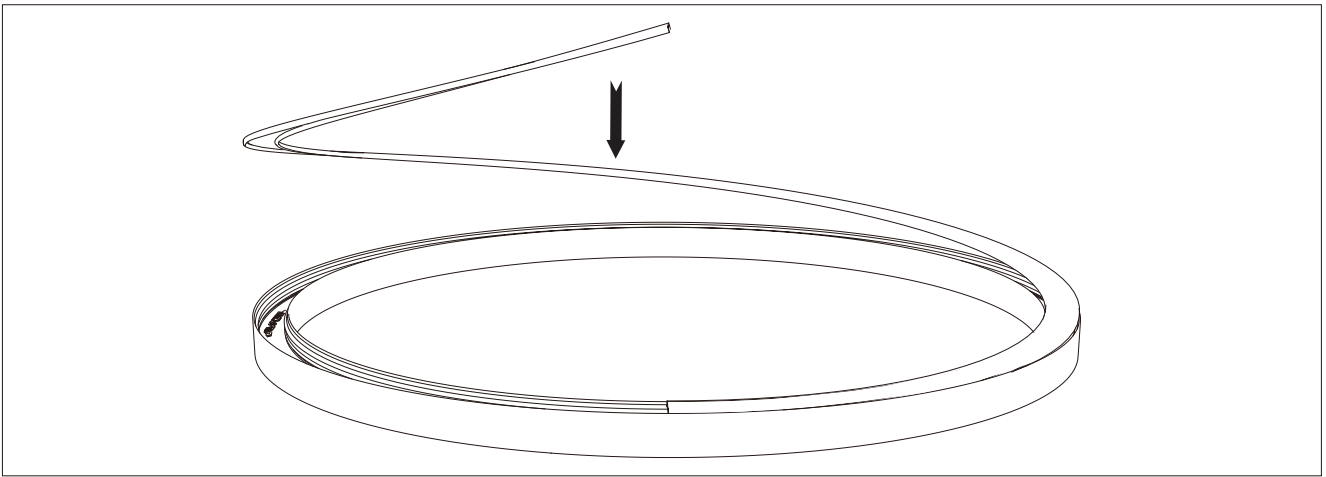




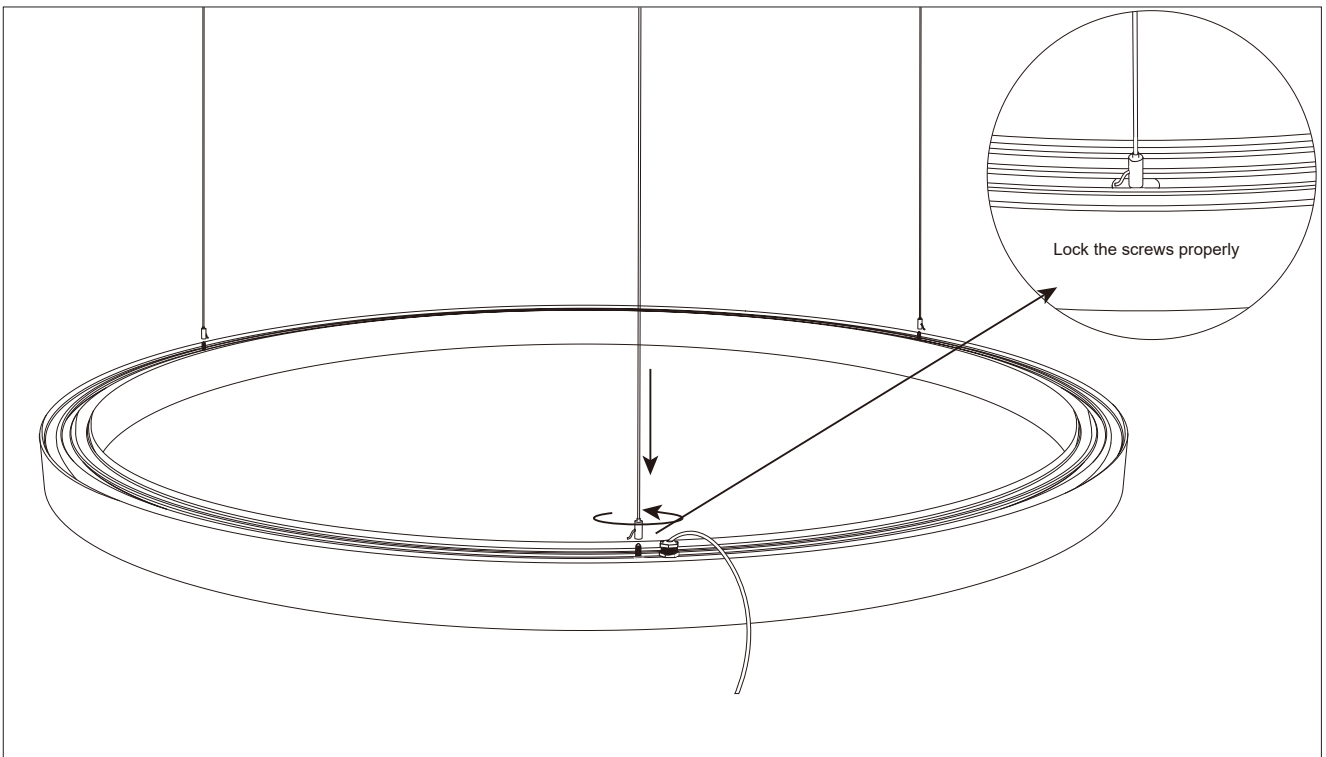
1. Drill holes in the ceiling.



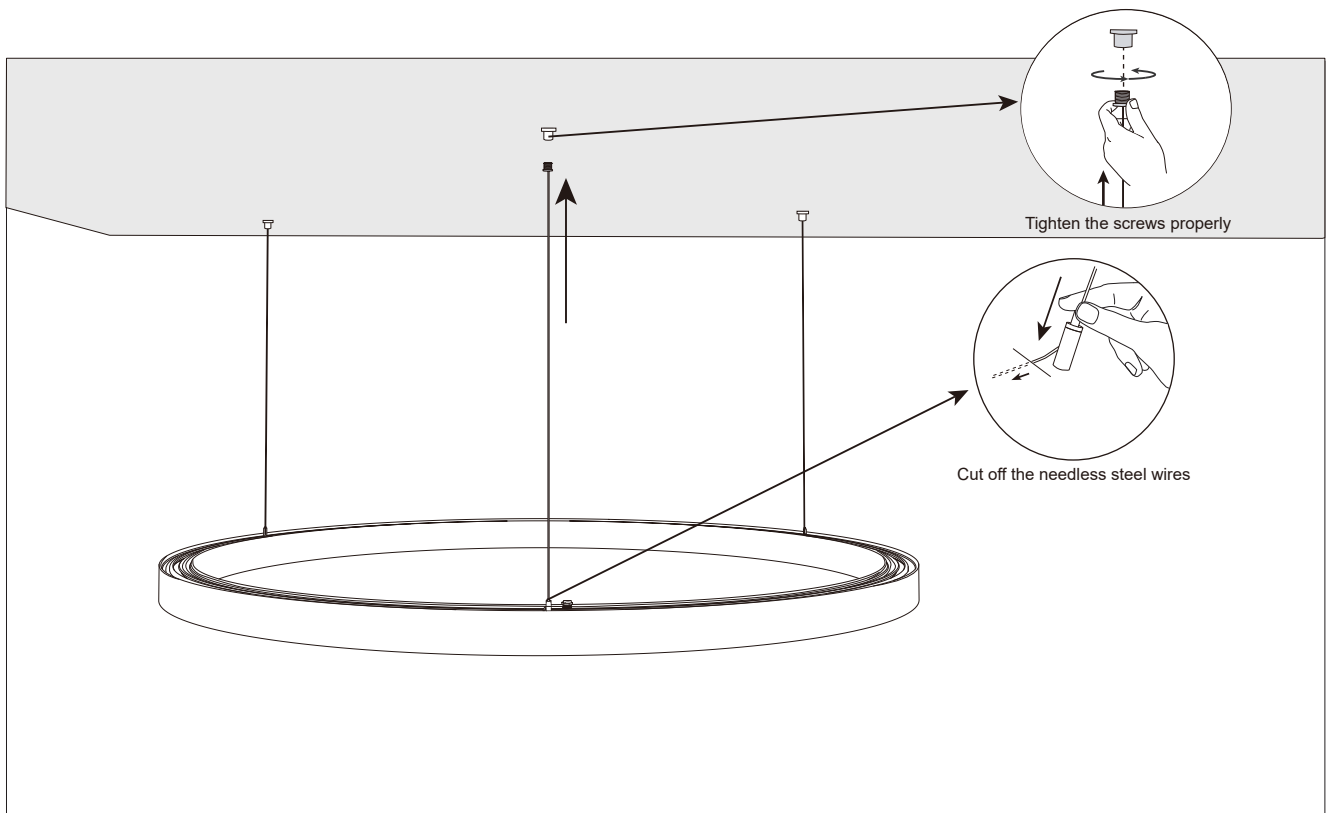
2. Lock the screws properly and install the suspension kits.



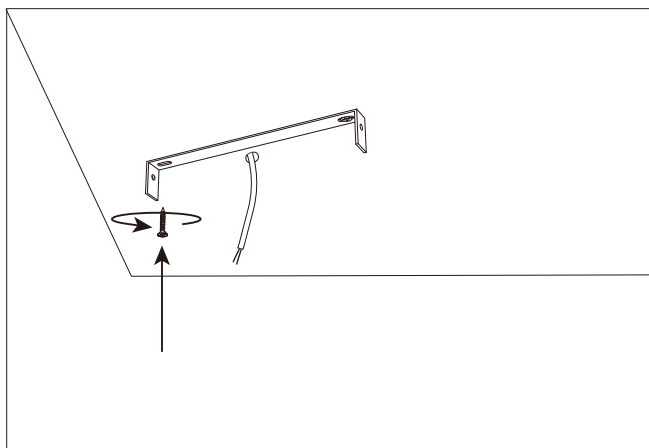
3. Install the diffuser.



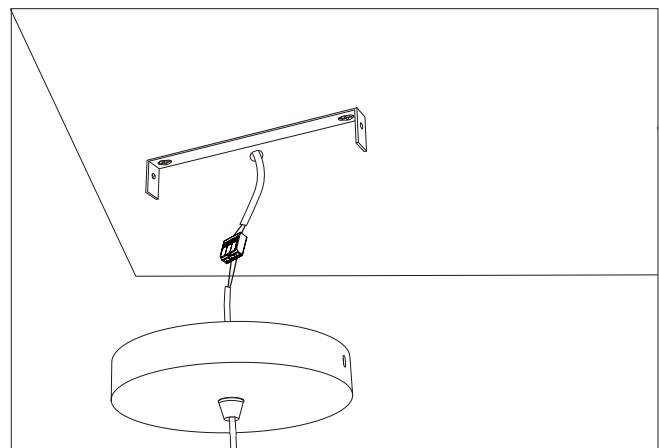
Lock the screws properly



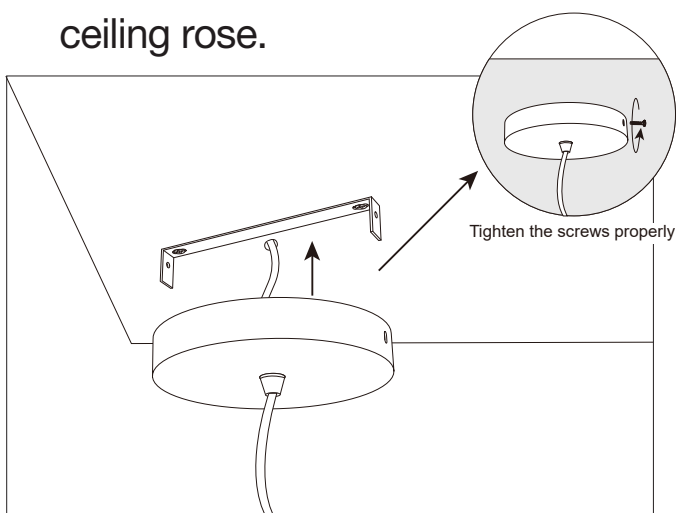
4. Suspension kit installation finished.



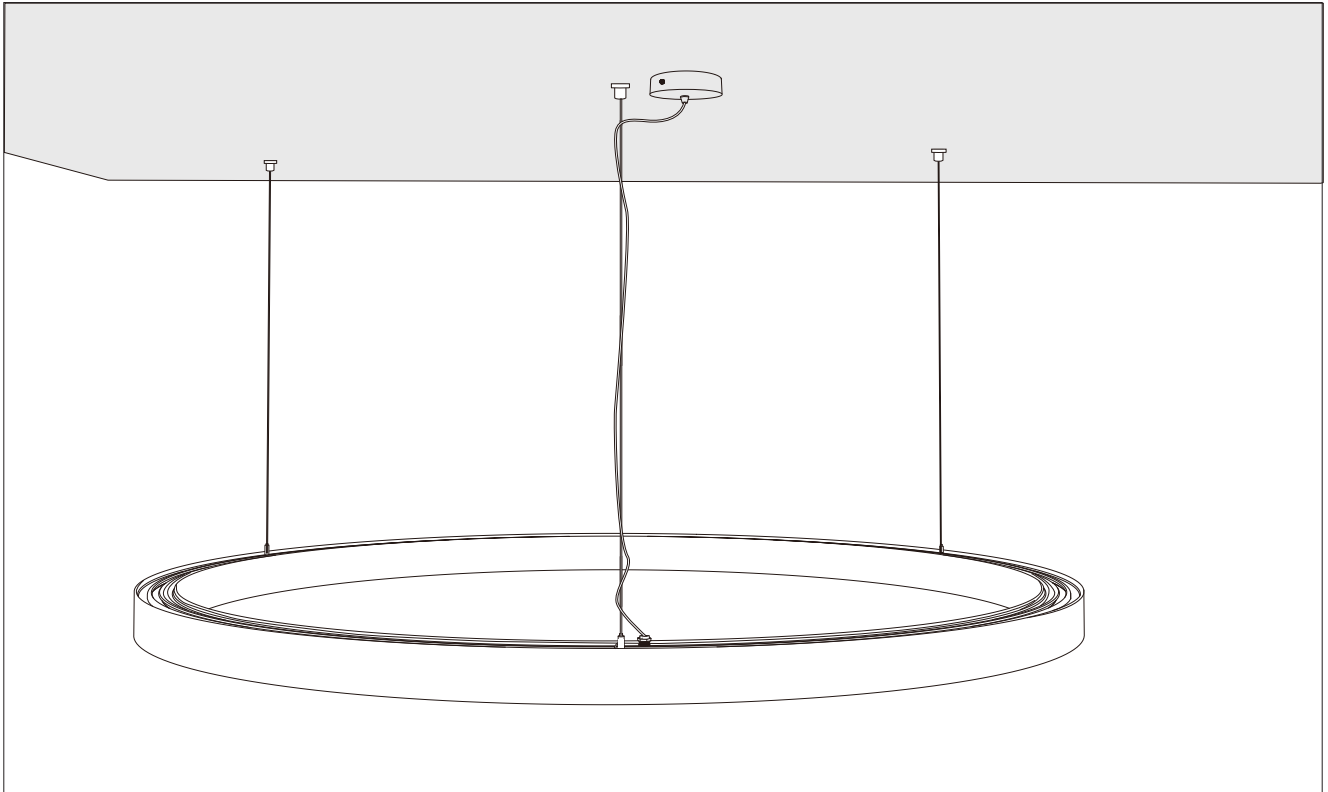
5. Drill two holes to install the ceiling rose.



6. Connect power and wires.



7. Put the ceiling rose on it.



8. Installation completed.

